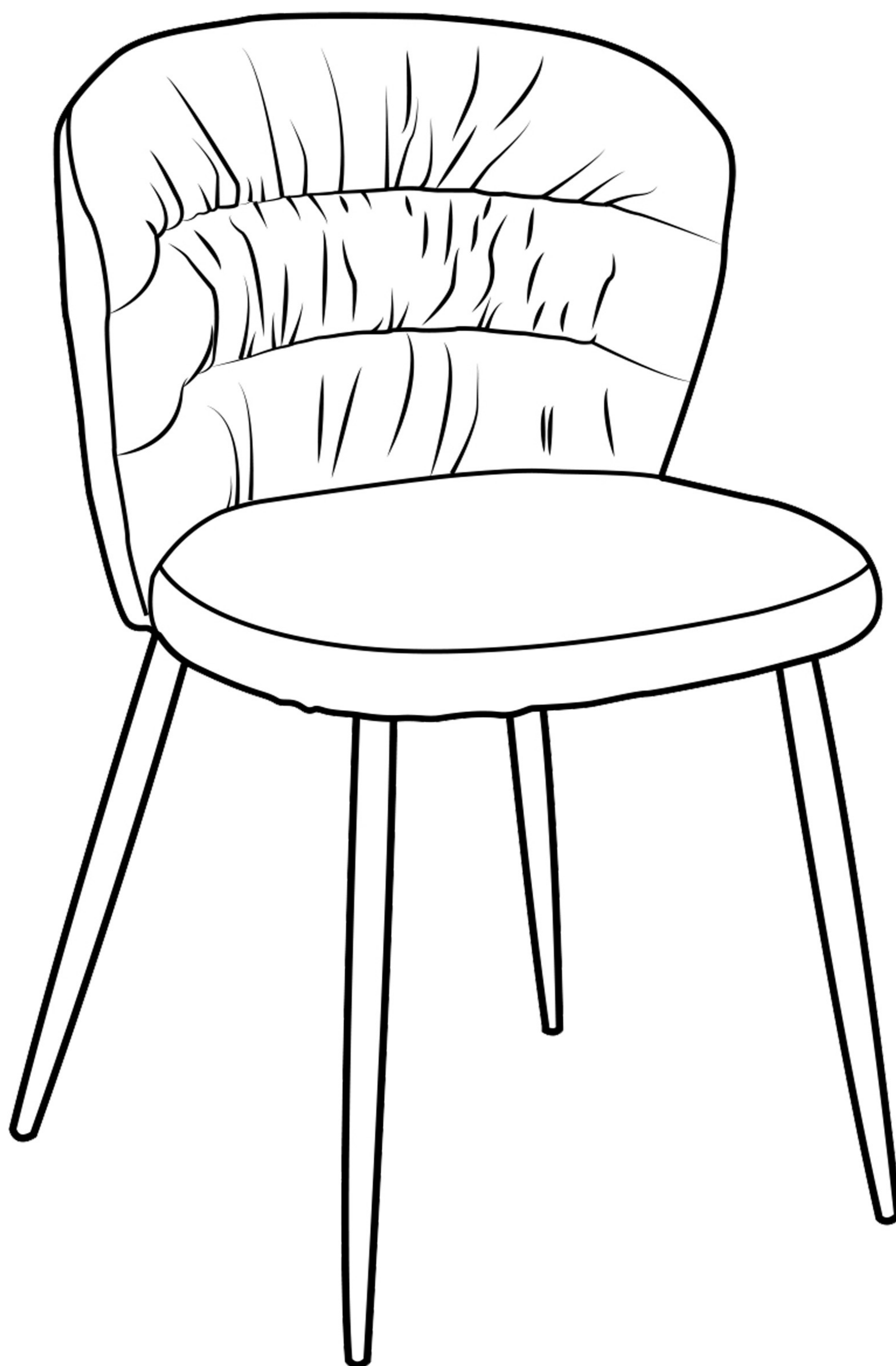


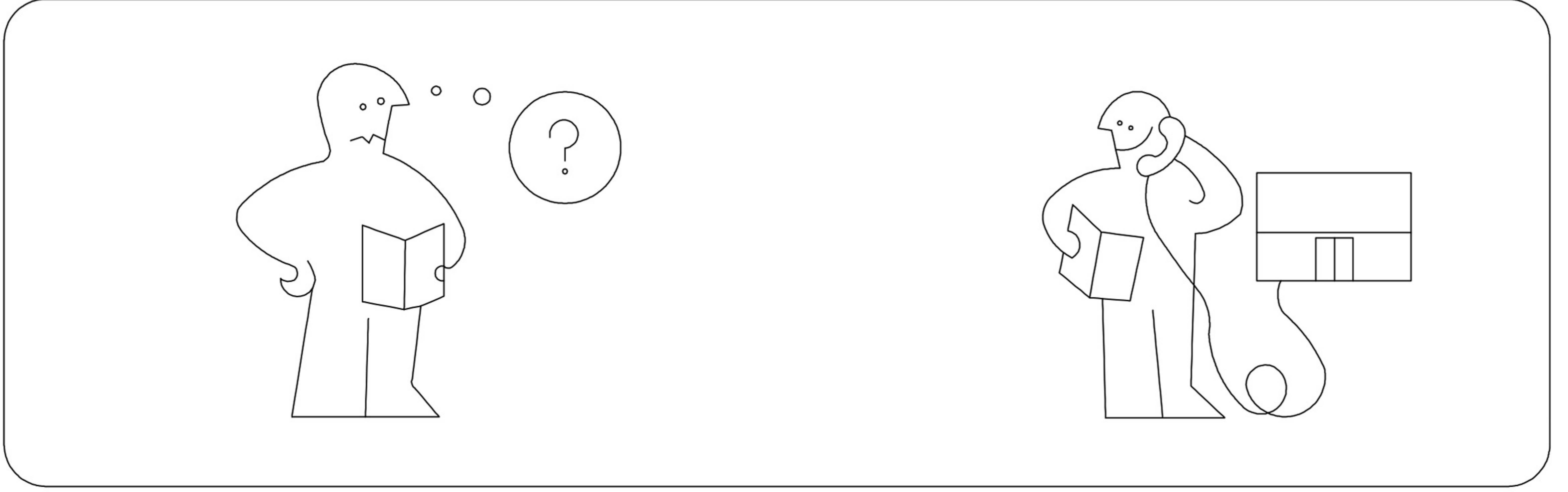
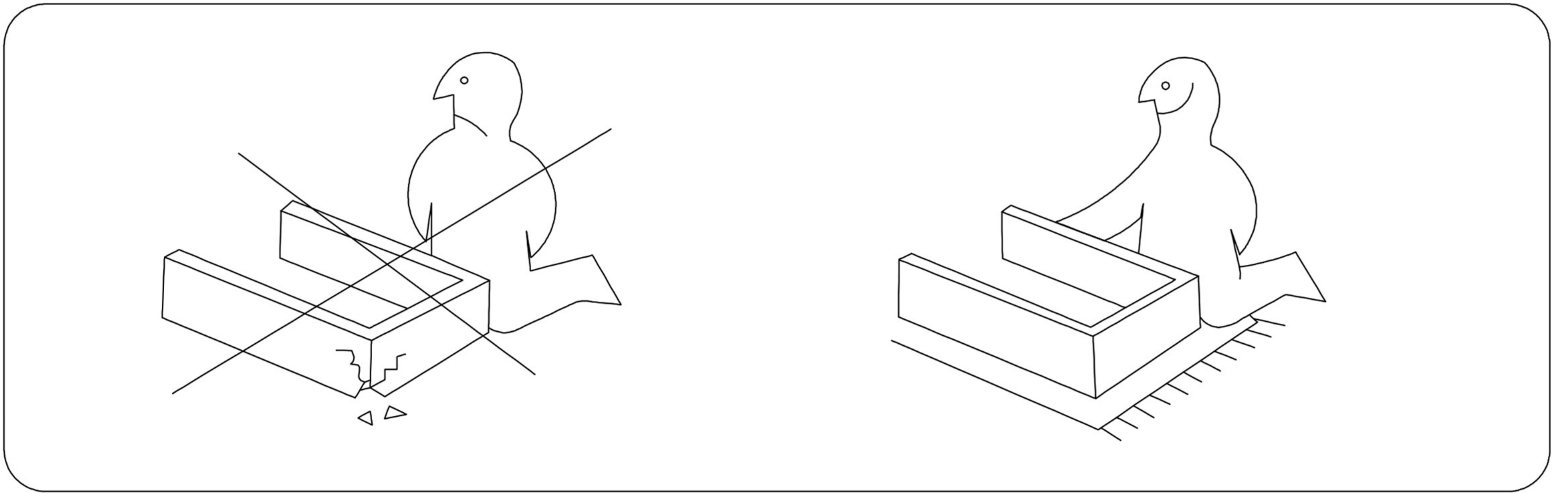
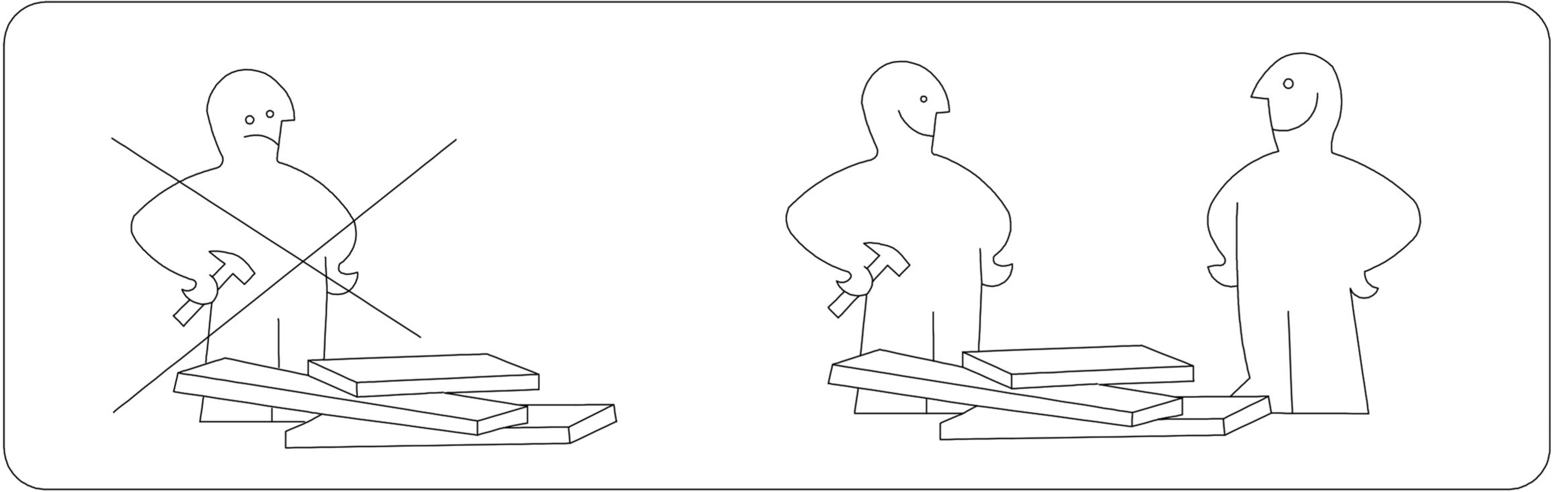
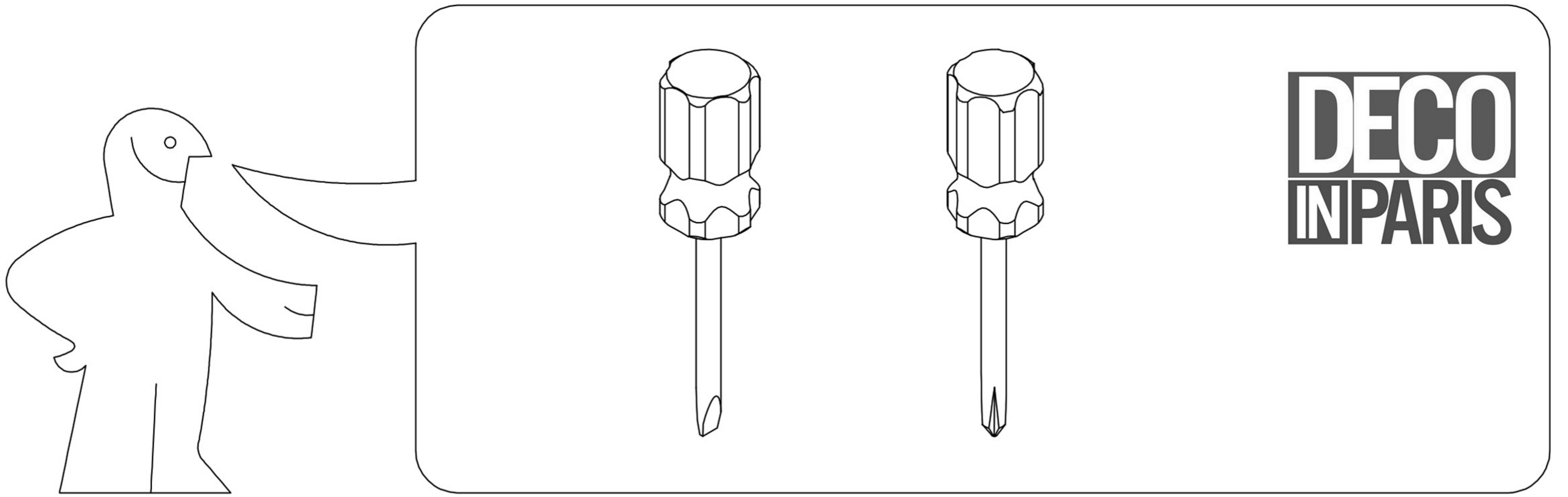
# DANIELA

CHAISE

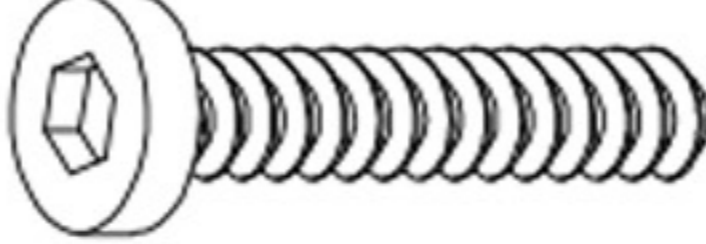

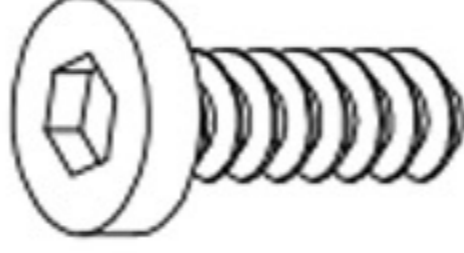

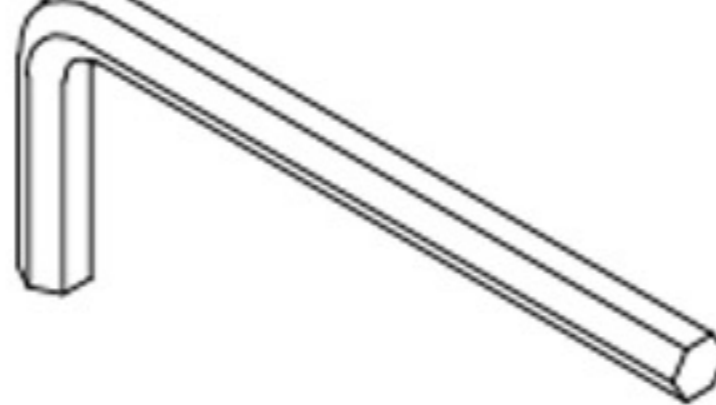
NOTICE DE MONTAGE

**DECO**  
**IN PARIS**







<b>A</b>		6x35mm <b>1</b>
<b>B</b>		6x16mm <b>1</b>
<b>C</b>		6x16mm <b>4</b>
<b>D</b>		6x18mm <b>4</b>
<b>E</b>		<b>1</b>

